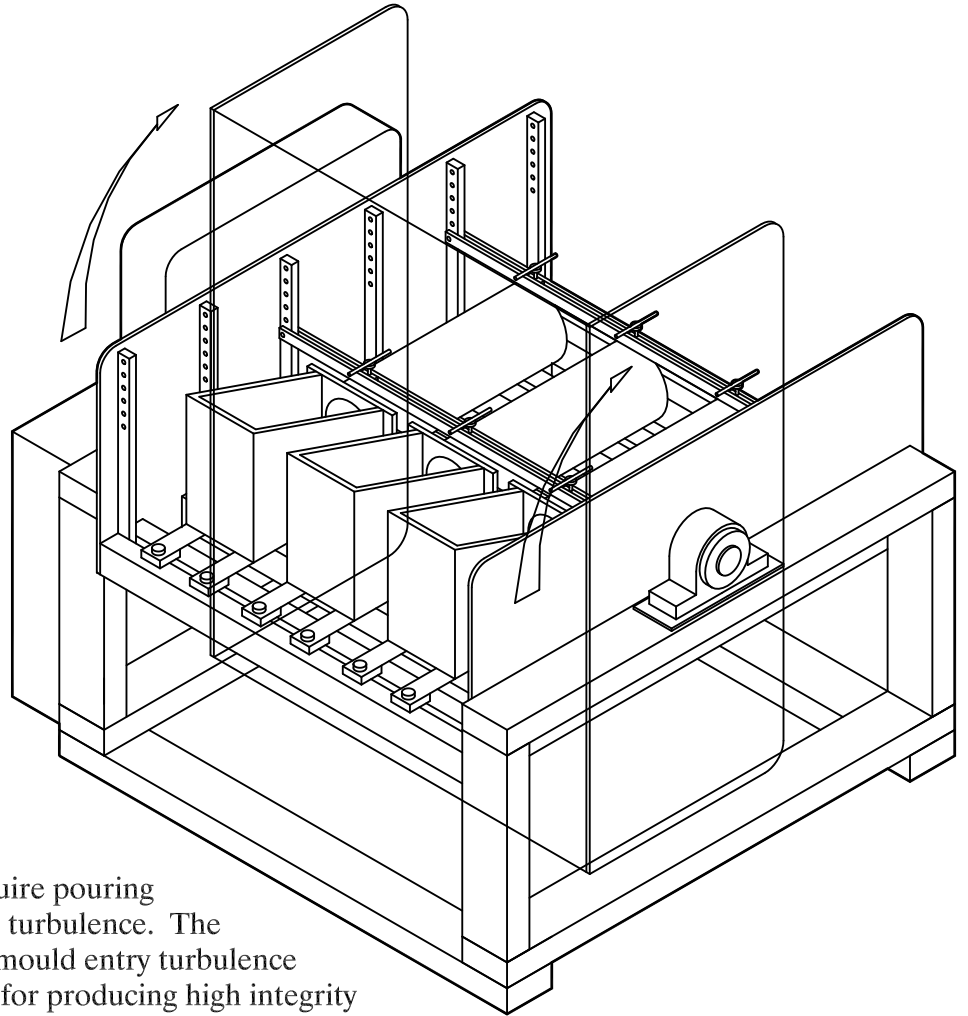


DURVILLE "TILT CASTING" MACHINE



BACKGROUND

Dross forming alloys require pouring techniques that minimise turbulence. The durville process reduces mould entry turbulence and is particularly useful for producing high integrity ingots for onward forging or special casting in a variety of alloys such as high nickel, non ferrous, aluminium and bronze.

BRIEF SPECIFICATION

The machines are available in four standard sizes and are constructed from tubular, heavy steel fabrications, machined where appropriate for bearing and proprietary part location. The drive system is guarded for safety purposes by sheet steel enclosures.

A variable speed drive unit is connected to a revolving/tilting table by means of a high torque chain system. The turning speed is controlled by a solid state inverter unit and is infinitely variable within the speed range to give accurate control of the tilting speed. The machines, depending upon customer requirements, can be mobile or static, with the larger units having remote controls.



HILLTOP WORKS,
EASTERN AVENUE, LICHFIELD,
STAFFORDSHIRE, WS13 6UY, ENGLAND

Telephone +44(0)1543 418701. Fax +44(0)1543 418703.

Email: sales@gibsoncentritech.co.uk

Web site: www.gibsoncentritech.co.uk

DESIGNERS and MANUFACTURERS of CENTRIFUGAL CASTING MACHINES